



**SPRAY CHARACTERISTICS**

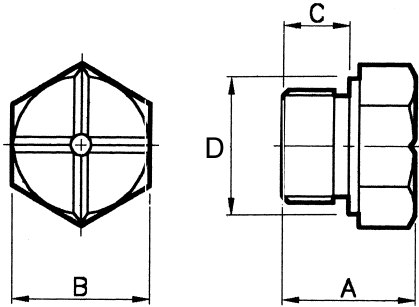
- Uniform distribution of droplets in a solid cone square shaped spray pattern.
- Droplet size is larger than in hollow cone nozzles of equal capacity.
- Impact of spray is generally greater with narrower spray angles, assuming the same flow rate. Pressure increases affect spray angle.

**CONSTRUCTION AND MATERIALS**

- One piece body with pressed-in, cross-milled core which is removable.
- Core imparts the necessary swirl to produce a solid cone spray pattern.
- Hexagon body for easy installation eliminates distortion of orifice during installation.
- Supplied in Male BSPP thread only.
- Brass and 316 Stainless Steel are standard.
- Other materials available to special order.

**ORDER EXAMPLE**

3/4" CBO 89 Brass.



**DIMENSIONS AND WEIGHTS**

Thread Size	Dimensions (mm)				Weight (g)
	A	B Hex	C	D Dia	
1/8"	10,7	14,0	6,4	12,7	10
1/4"	14,0	18,0	7,0	16,5	20
3/8"	20,0	20,8	10,0	20,0	32
1/2"	25,4	25,7	12,7	24,9	63
3/4"	33,3	31,8	15,9	31,0	105
1"	47,6	38,0	19,1	38,0	210

Maximum Recommended Pressure:  
35 Bar.G. (Metal), 7 Bar.G. (Plastic).

**CAPACITY CHART**

NOZZLE NUMBER	BSPP THREAD SIZE						FLOW RATE IN LITRES/MIN AT Bar.G.										SPRAY ANGLES (°) AT Bar.G.		
	1/8	1/4	3/8	1/2	3/4	1	0,35	0,7	1	1,5	2	3	4	6	7	8	7	2	6
CBO 6							0,88	1,25	1,50	1,88	2,18	2,65	2,87	3,41	3,54	3,76	40	47	40
CBO 8							1,30	1,86	2,28	2,84	3,23	4,00	4,55	5,38	5,72	5,97	44	56	53
CBO 11							1,63	2,32	2,87	3,62	4,05	4,87	5,36	6,30	6,74	7,06	52	64	58
CBO 12							2,09	2,79	3,41	4,09	4,55	5,30	5,91	7,02	7,58	8,01	62	70	58
CBO 16							2,50	3,58	4,41	5,30	6,14	7,27	8,00	9,51	10,04	10,61	62	70	58
CBO 20							3,11	4,46	5,46	6,50	7,54	9,06	10,00	11,92	12,63	13,43	62	73	58
CBO 22							3,58	5,11	6,24	7,51	8,32	9,78	10,91	13,23	14,24	14,95	70	80	62
CBO 12							2,00	2,79	3,32	4,19	4,73	5,83	6,60	7,79	8,17	8,65	36	45	39
CBO 16							2,50	3,58	4,41	5,30	6,14	7,27	8,00	9,51	10,04	10,61	57	60	55
CBO 20							3,11	4,46	5,46	6,50	7,54	9,06	10,00	11,92	12,63	13,43	61	73	58
CBO 22							3,58	5,11	6,24	7,51	8,32	9,78	10,91	13,23	14,24	14,95	70	80	62
CBO 27							4,23	6,04	7,42	9,01	10,10	12,32	13,64	16,06	17,47	18,08	70	80	62
CBO 32							5,81	7,25	8,88	10,81	12,32	14,44	15,96	19,29	20,40	22,12	70	80	62
CBO 27							4,23	6,04	7,42	9,01	10,10	12,32	13,64	16,06	17,47	18,08	44	53	51
CBO 32							5,81	7,25	8,88	10,81	12,32	14,44	15,96	19,29	20,40	22,12	60	70	61
CBO 42							6,74	9,67	11,82	14,44	15,96	19,29	21,41	24,95	27,37	28,48	70	76	64
CBO 49							8,17	11,62	14,24	16,36	18,69	23,13	25,05	29,29	32,52	33,94	79	86	72
CBO 63							10,20	14,44	17,07	20,50	23,84	28,89	32,22	38,48	41,31	43,94	80	86	70
CBO 47							7,48	10,61	13,03	14,95	17,78	21,11	26,63	28,48	30,20	31,71	43	57	42
BQF 63							10,20	14,44	17,07	20,50	23,84	28,89	32,22	38,48	41,31	43,94	60	69	53
CBO 77							12,32	17,68	20,50	23,94	29,09	34,95	38,68	45,65	49,29	52,02	70	73	60
CBO 89							13,94	20,00	23,74	29,39	33,63	40,00	44,54	52,92	56,26	59,29	82	85	67
CBO 102							14,85	20,91	27,37	33,73	38,68	46,26	50,00	60,10	64,54	67,87	85	97	74
CBO 73							11,92	16,26	20,00	22,62	27,78	34,24	38,68	45,65	50,00	52,02	35	41	44
CBO 105							16,26	23,23	27,78	33,73	39,79	48,18	52,32	62,42	67,37	71,51	51	57	49
CBO 123							19,49	28,38	34,64	42,32	46,56	57,77	63,63	75,95	80,40	85,55	66	73	57
CBO 140							22,73	32,02	38,18	45,25	53,23	62,12	68,18	80,80	85,95	90,90	75	81	52
CBO 162							25,55	36,26	44,64	53,03	61,41	72,22	79,08	95,14	101,00	108,07	74	86	63
CBO 193							28,79	41,81	50,10	60,70	73,23	87,57	99,08	119,18	128,27	135,34	82	100	80

Contact our Helpline for any special requirements:  
Tel: +44 (0) 151 424 6821  
Fax: +44 (0) 151 495 1043  
e-mail: sales@delavan.co.uk  
Web: www.delavan.co.uk

