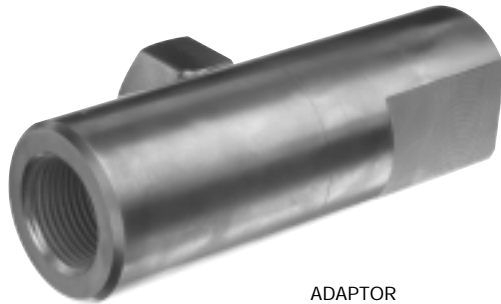




NOZZLE



ADAPTOR

### FEATURES

- Fine atomisation in a wide range of flow rates.
- Spray angle is wider than most external mix nozzles.
- Air Flow M<sup>3</sup>/Min is lower than most external mix nozzles.
- Good turndown ratios.

### SPRAY CHARACTERISTICS

- With an external mix nozzle the air pressure can be varied to produce the desired atomisation without changing the liquid flow or pressure.

### CONSTRUCTION AND MATERIALS

- Minimum wear from abrasive liquids because low liquid pressures are required.
- Nozzle can be separated from adaptor by means of concentric piping. Concentric pipe adaptors are optional and not included with the nozzle assembly. User can alter "C" dimension (see cutaway dimensional drawing) to any extended length by providing two concentric pipes with a coupling on one end of each. Both made up pipe/coupling lengths should be equal. The length is then the desired addition to "C" dimension.
- In-line nozzle is made of 303 Stainless Steel and adaptor is made of 316L Stainless Steel.
- Other materials available to special order.

**External Mix In-Line Nozzle**  
Maximum Recommended Pressure: 14 Bar.G.  
Maximum Recommended Temperature: 540°C.

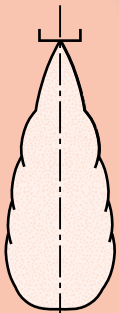
**Adaptor**  
Maximum Recommended Pressure: 14 Bar.G.  
Maximum Recommended Temperature: 150°C.

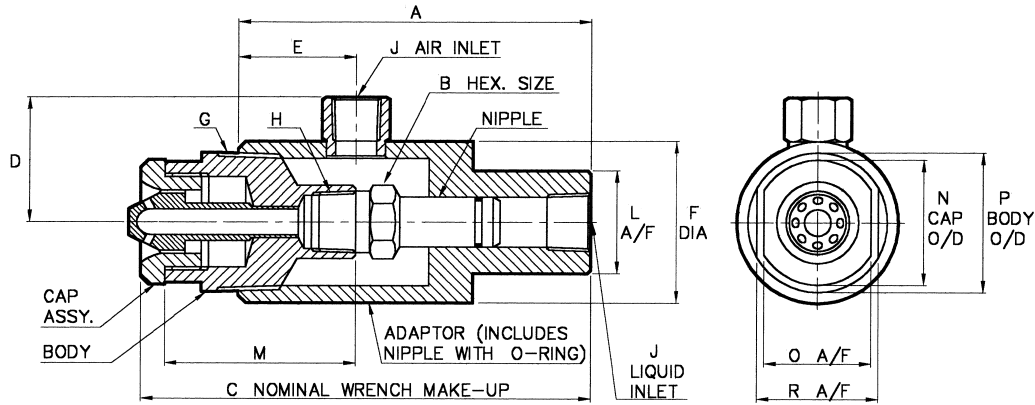
### CAPACITY CHART

NOZZLE NUMBER	LIQUID FLOW (LITRES PER MIN) AT THESE AIR PRESSURES (Bar.G.)													
	0,2	0,3	0,5	0,7	1,0	1,4	1,7	2,0	2,4	2,8	3,1	3,5	3,8	4,1
47283	-	-	-	3,22	4,16	4,73	5,3	5,67	5,94	6,05	-	-	-	-
47570	3,8	5,3	-	7,6	9,1	10,6	12,1	13,2	14,4	15,5	-	-	-	-
47980	-	-	7,6	9,1	11,4	13,2	15,1	16,7	17,8	19,3	20,4	21,2	22,3	23,5

NOZZLE NUMBER	AIR FLOW (M <sup>3</sup> PER MIN) AT THESE AIR PRESSURES (Bar.G.)									
	1,4	2,0	2,8	3,5	4,1	4,9	5,5	6,2	7,0	
47283	-	0,377	0,47	0,57	0,66	0,76	0,85	0,95	1,04	
47570	-	0,99	1,16	1,27	1,47	1,67	1,9	2,1	-	
47980	3,99	1,55	1,90	2,23	2,58	2,92	3,26	-	-	

Contact our Helpline for any special requirements:  
Tel: +44 (0) 151 424 6821  
Fax: +44 (0) 151 495 1043  
e-mail: sales@delavan.co.uk  
Web: www.delavan.co.uk

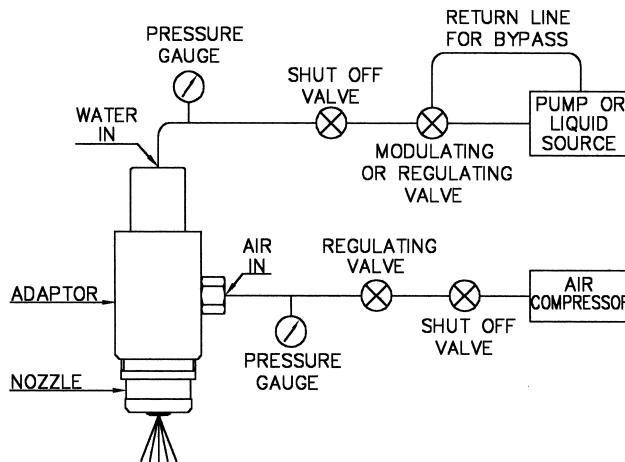




**DIMENSIONS AND WEIGHTS**

**EXTERNAL MIX NOZZLE/ADAPTOR (mm)**

Dimensions	47980/32618	47570/32695	47283/32742
A	120,7	120,7	90,2
B	15,9	15,9	12,7
C	146,1	142,7	108
D	39,6	39,6	32,6
E	58,4	58,4	38,1
F	41,3	41,3	28,6
L	31,8	31,7	19,1
M	53,8	54	38,1
N	31,8	25,3	20,4
O	28,6	22,2	19,1
P	37,8	26,7	23,6
R	33,3	27	21,4
G NPT (M)	1" - 11 1/2	3/4" - 14	1/2" - 14
H NPT (F)	1/4" - 18	1/4" - 18	1/8" - 27
J NPT (F)	1" - 14	1/2" - 14	1/4" - 18
Approx. Weight (g)	1120	1176	462



1. Install nozzle as shown in schematic drawing. Make certain both pressure gauges are located as close to the nozzle as practical. Allow for pressure losses between gauges and nozzle when establishing settings. Shut-off valves are included for convenience, allowing nozzle removal without shutting down system.

2. The adaptor shown may be purchased from Delavan. It is not part of the nozzle.

AIR ATOMISING

EXTERNAL MIX

Contact our Helpline for any special requirements:  
Tel: +44 (0) 151 424 6821  
Fax: +44 (0) 151 495 1043  
e-mail: sales@delavan.co.uk  
Web: www.delavan.co.uk

