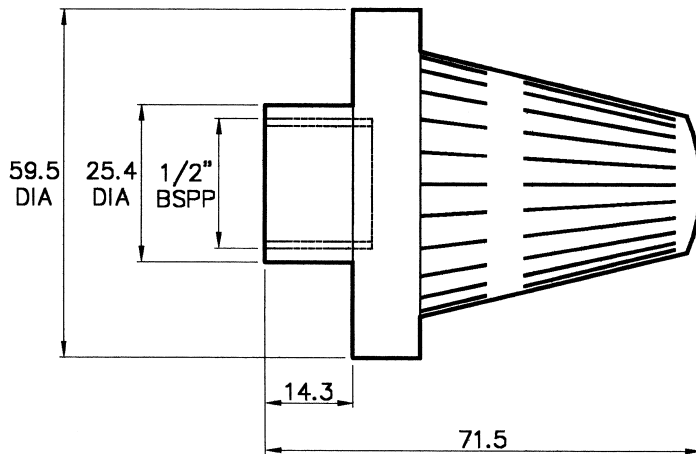


## APPLICATIONS

- Fluidised bed for sand reclamation in foundries.
- Aeration and cooling nozzle.
- Filter nozzle for cooling water reclamation in steel mills, etc.
- Tertiary treatment in effluent plants.
- Aeration of sludge.
- Trub dispersal in breweries.

## CONSTRUCTION AND MATERIALS

- Moulded in black Polypropylene.
- Available with 1/2" Female BSPP connection only.
- Unit has 24 slots each 0,25mm wide in two positions.



SPECIAL PURPOSE

TYPE FN

## CAPACITY CHART

PRESSURE Bar.G.	0,7	1,4	2,1	2,8	3,5
FLOW RATE IN LITRES/MIN	68	100	123	150	173
DIAMETER OF COVERAGE (M) FROM A HEIGHT OF 600mm	5,5	7,0	7,9	8,8	9,1

Contact our Helpline for any special requirements:  
Tel: +44 (0) 151 424 6821  
Fax: +44 (0) 151 495 1043  
e-mail: sales@delavan.co.uk  
Web: www.delavan.co.uk