

HEADER NOZZLE SOCKET

FEATURES

- Used for welding or brazing to spray pipe/manifold assemblies to enable Male threaded nozzles to be fitted.

CONSTRUCTION AND MATERIALS

- Available with Female BSPP threads only.
- Available in Brass, Stainless Steel and Mild Steel.
- Other materials available to special order.
- Refer to chart for pipe drilled hole size.

ORDER EXAMPLE

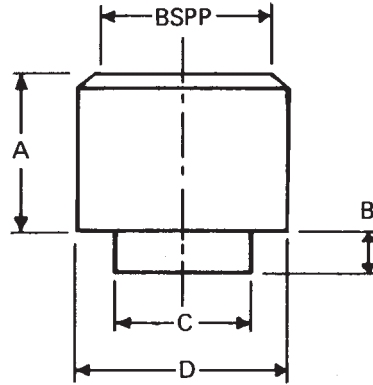
HNS 500 Stainless Steel.



HEADER NOZZLE SOCKETS

Dimensions (mm)

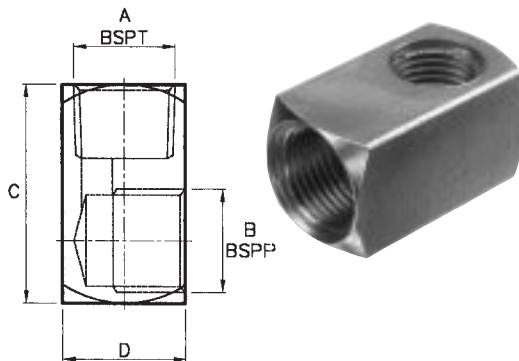
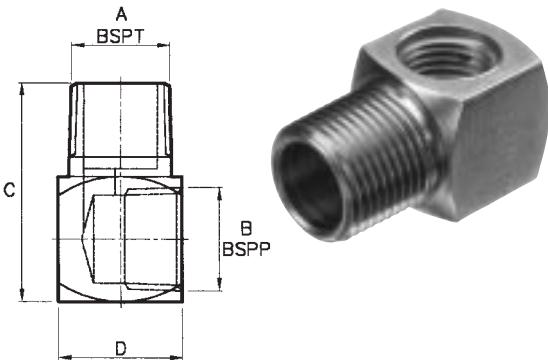
HNS Number	Thread Size	A	B	C	D	Hole Size
125	1/8"	12,7	3,2	9,1	14,3	9,5
250	1/4"	15,9	3,2	15,1	19,1	15,9
375	3/8"	19,1	3,2	15,1	25,4	15,9
500	1/2"	22,3	4,8	21,8	31,8	22,2
750	3/4"	22,3	4,8	21,8	31,8	22,2
1000	1"	25,4	6,4	31,4	38,1	31,8



ADAPTORS

FEATURES

- 90° adaptor for positioning of nozzles.
- Available with thread sizes 1/8"-1" BSPT Male and BSPP Female.
- Available in Brass and Stainless Steel.
- Other materials available to special order.



Male Adaptor

PART NUMBER		A	B	mm	
STAINLESS STEEL	BRASS	Thread size	Thread size	C	D
W00081-1	W00081-2	1/4"	1/8"	28,4	15,7
W00318-1	W00318-2	1/4"	1/4"	28,4	15,7
W00082-1	W00082-2	3/8"	1/4"	34,8	19,1
W00319-1	W00319-2	3/8"	3/8"	34,8	19,1
W00083-1	W00083-2	1/2"	3/8"	44,5	25,4
W00320-1	W00320-2	1/2"	1/2"	44,5	25,4
W00084-1	W00084-2	3/4"	1/2"	57,2	31,8
W00194-1	W00194-2	3/4"	3/4"	57,2	31,8
W00085-1	W00085-2	1"	3/4"	76,2	38,1
W00468-1	W00468-2	1"	1"	76,2	38,1

Female Adaptor

Part Number		A	B	mm	
Stainless Steel	Brass	Thread size	Thread size	C	D
W00216-1	W000216-2	1/4"	1/8"	28,4	15,7
W00464-1	W00464-2	1/4"	1/4"	28,4	15,7
W00217-1	W00217-2	3/8"	1/4"	34,8	19,1
W00463-1	W00463-2	3/8"	3/8"	34,8	19,1
W00218-1	W00218-2	1/2"	3/8"	44,5	25,4
W00462-1	W00462-2	1/2"	1/2"	44,5	25,4
W00219-1	W00219-2	3/4"	1/2"	57,2	31,8
W00196-1	W00196-2	3/4"	3/4"	57,2	31,8
W00220-1	W00220-2	1"	3/4"	76,2	38,1
W00470-1	W00470-2	1"	1"	76,2	38,1

ACCESSORIES

HNS & ADAPTORS

Contact our Helpline for any special requirements:
Tel: +44 (0) 151 424 6821
Fax: +44 (0) 151 495 1043
e-mail:sales@delavan.co.uk
Web:www.delavan.co.uk

