



### SPRAY CHARACTERISTICS

- Produces a hollow cone spray pattern using an external 'pintle' deflector.
- Relatively uniform distribution at low pressures.
- Produces coarser droplets than a normal hollow cone spray.
- Available in spray angles of 90°, 120°, 150°, 180° and 210°.

### CONSTRUCTION AND MATERIALS

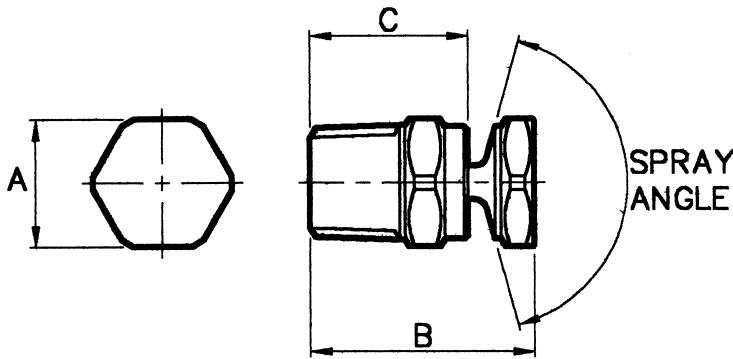
- In-line design, manufactured in Male BSPT thread only.
- The pintle design can be varied to allow for different spray angles.
- Available in Brass and 316 Stainless Steel as standard.
- Other materials available to special order.

### ORDER EXAMPLE

3/8" PJ 70-120° Stainless Steel.

### DIMENSIONS AND WEIGHTS

Thread Size	Dimensions (mm)			Weight (g)
	A Hex	B	C	
1/4	15,3	33,3	19,0	30
3/8	18,0	37,3	21,4	80
1/2	25,7	46,0	28,6	100
3/4	28,0	58,7	33,3	125
1	38,0	63,5	38,1	180



Maximum Recommended Pressure:  
14 Bar.G. (Metal) 7 Bar.G. (Plastic).

### CAPACITY CHART

NOZZLE NUMBER	BSPT THREAD SIZE					FLOW RATE IN LITRES/MIN AT Bar.G.							
	1/4	3/8	1/2	3/4	1	0,7	1,0	2,0	3,0	4,0	5,0	6,0	7,0
PJ 20						3,80	4,46	6,25	8,05	9,37	9,94	10,88	12,35
PJ 30						5,95	6,70	9,82	11,84	13,84	15,13	16,57	17,84
PJ 40						7,78	9,37	12,05	15,62	18,30	20,57	22,53	24,25
PJ 50						9,61	11,61	16,07	19,89	22,77	25,50	27,93	30,19
PJ 60						11,44	13,84	19,20	23,67	27,23	30,69	33,61	36,14
PJ 70						13,27	16,07	22,77	27,46	32,14	35,88	39,30	42,54
PJ 80						15,10	18,75	25,45	31,72	36,61	41,06	44,98	48,03
PJ 90						16,73	20,00	28,95	35,10	40,95	45,02	50,01	54,00
PJ 100						19,21	22,77	31,70	39,30	45,53	51,00	55,87	60,38
PJ 125						24,01	28,46	39,62	49,12	56,91	63,75	69,83	75,48
PJ 150						28,82	34,37	48,21	59,19	68,30	76,51	83,81	90,12
PJ 175						33,39	39,91	56,44	69,13	79,82	89,25	97,76	105,6
PJ 200						38,16	45,61	64,45	79,00	91,22	102,0	111,7	120,7
PJ 225						42,93	51,31	72,57	88,88	102,6	114,7	125,7	135,8
PJ 250						47,71	57,02	80,64	98,76	114,0	127,5	139,7	150,9

Contact our Helpline for any special requirements:  
Tel: +44 (0) 151 424 6821  
Fax: +44 (0) 151 495 1043  
e-mail: sales@delavan.co.uk  
Web: www.delavan.co.uk

