

Continuous casting Nozzles

Delavan Rectangular RP Nozzle - For use on Thin Slab Continuous Casting Machines

Spray Characteristics

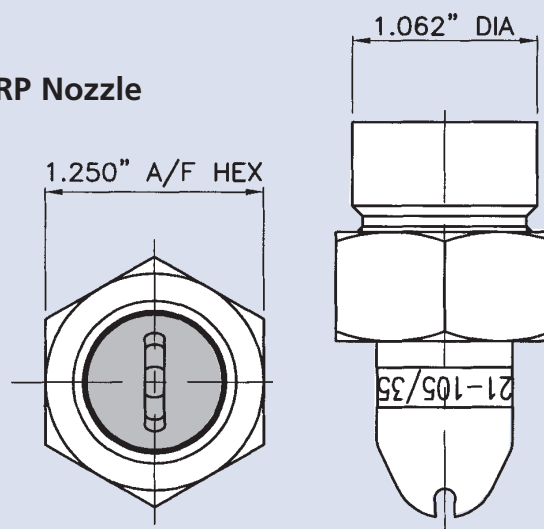
- Produces a rectangular impact area and even distribution of water over the rectangular footprint to give soft cooling on thin slab casters
- Rectangular impact sprayed area 105° x 35°
- Large free passageway
- Self-aligning tip using the 3/4" dovetail design as the Delavan AD nozzle
- 5% overlap required
- Orifice in line with dovetail - no off-set required

Construction and Materials

- Dovetail connection nozzle/body for positive alignment
- 3 piece construction. Body, tip and cap
- The tip is dovetail for self alignment
- Standard welded bodies are available, male and female thread bodies are available as an option
- Available in brass only
- Also available with 1/2" NPT thread



RP Nozzle



Nozzle Number	Flow Rate in LPM @ Bar G					Flow Rate in US GPM @ PSIG				
	2	3	4	5	7	30	40	60	80	100
6	1.76	2.15	2.49	2.78	3.29	0.47	0.56	0.67	0.78	0.86
8	2.34	2.87	3.31	3.70	4.38	0.63	0.74	0.89	1.04	1.15
13	3.70	4.53	5.23	5.85	6.92	1.00	1.17	1.40	1.64	1.81
14	4.43	5.42	6.26	7.00	8.28	1.19	1.40	1.68	1.96	2.17
21	6.58	8.06	9.30	10.40	12.30	1.82	2.08	2.50	2.91	3.22
28	8.54	10.50	12.10	13.50	16.00	2.30	2.70	3.24	3.78	4.19
35	10.90	13.40	15.50	17.30	20.50	2.94	3.46	4.15	4.84	5.36
46	14.20	17.40	20.10	22.50	26.60	3.83	4.50	5.40	6.30	7.00
53	16.40	20.10	23.30	26.00	30.80	4.42	5.20	6.24	7.28	8.06
61	19.00	23.20	26.80	30.00	35.50	5.10	6.00	7.20	8.40	9.30
100	31.00	38.00	43.80	49.00	58.00	8.33	9.80	11.80	13.70	15.20



Delavan Ltd – Gorsey Lane – Widnes – Cheshire – WA8 0RJ – UK

Telephone: +44 (0) 151 424 6821 Fax: +44 (0) 151 495 1043

Inside USA Toll Free: (800) Delavan

e-mail: sales@delavan.co.uk or delavanspray@goodrich.com

Details of all our products are available on our website @ www.delavan.com

Delavan, and the Goodrich Stripes logo are registered trademarks of Delavan Spray Technologies and the Goodrich Corporation respectively © Delavan Spray Technologies 2004. All materials are the intellectual property of Goodrich and cannot be used without Goodrich's consent.

