

TYPE TZ-89

CLEANING IN PLACE



TYPE TZ-89

SPECIFICATIONS

Materials

AISI 316L, AISI 316, SAF 2205 (UNS 31803), PTFE, PVDF, PEEK, FEP/Silicone

Weight

7,0 kgs (15,4 lbs)

Lubricant

Self-lubricating with the cleaning fluid

Working pressure

2-7 Bar (30-100 psi)

Recommended pressure

3-6 Bar (44-87 psi)

Max. working temperature

95 °C (203 °F)

Max. ambient temperature

140 °C (284 °F)

Max. throw length, static

4-7 m (13-23 ft.)

Effective throw length

2.5-4 m (8-13 ft.). Impact in centre of jet 250 mm water column (50 lbs/sq.ft.)

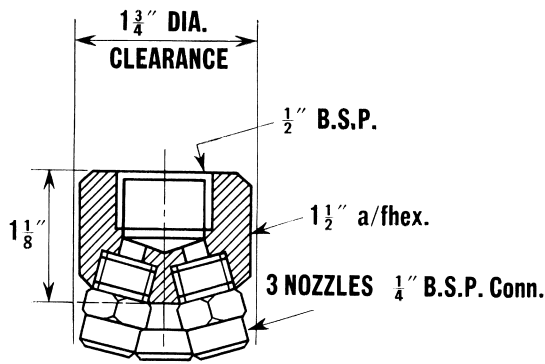
Inlet connections

Thread: 3/4" BSP or NPT, Male
Clamp: 1" ISO 2852

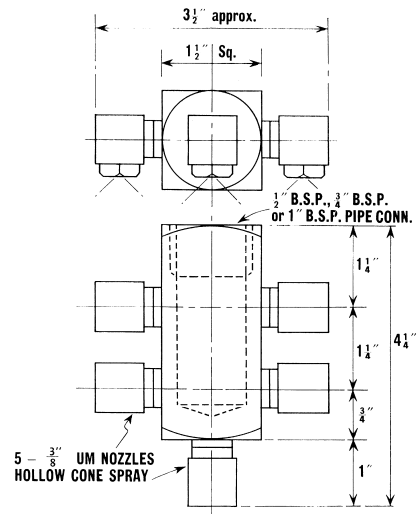
Tank connection

Flange: 50 ND6 DIN 2501, or
3" ANSI B 16.5. Clamp: 3" ISO 2852

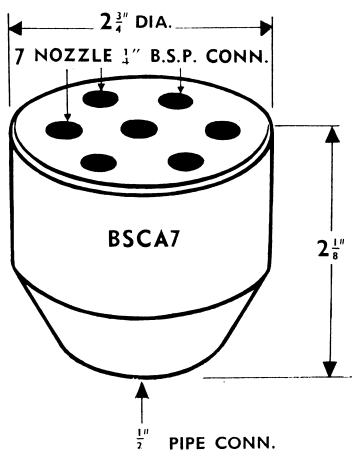
BSCA 3



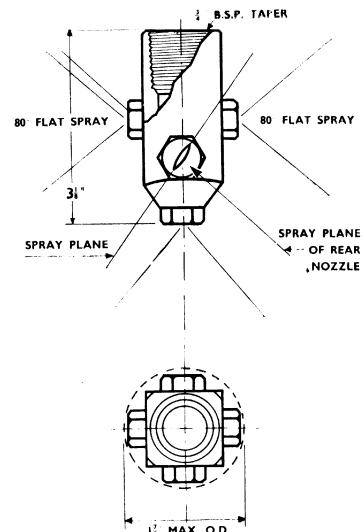
CLUM 5



BSCA 7



DWN 5



Contact Delavan's Customer Service Team for further details.

Contact our Helpline for any special requirements:
Tel: +44 (0) 151 424 6821
Fax: +44 (0) 151 495 1043
e-mail: sales@delavan.co.uk
Web: www.delavan.co.uk

