

SPRAY CHARACTERISTICS

- Produces a hollow cone spray pattern with uniform distribution.
- Has a narrower droplet spectrum than equivalent solid cone sprays.

CONSTRUCTION AND MATERIALS

- Manufactured in Silicon Carbide, Nitride bonded (SiC).
- Clog resistant design with no internal vanes or cones.
- Uses 'Canted Bottom' design of swirl chamber for maximum wear resistance.
- Ideal for Gas washing and cooling where high temperatures, together with corrosive and abrasive elements, are present.
- Manufactured in flanged version only.
- Mounting flanges as per ANSI 150.

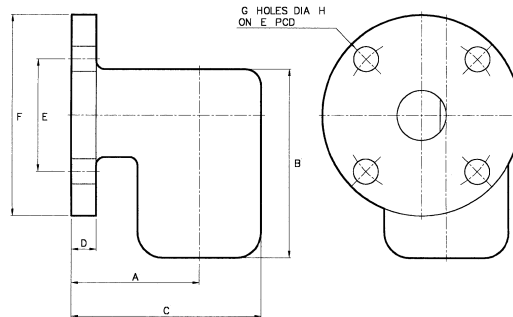


ORDER EXAMPLE

3" UC 250-FL.

DIMENSIONS AND WEIGHTS

Size (N.B.)	A	B	C	D	E	F	G	H	Weight (Kg)
2"	98,4	140	148	19	121	152	4	19	2,69
2½"	98,4	190	148	22	140	178	4	19	4,66
3"	127	225	210	24	152	191	4	19	7,45
4"	152	269	252	24	191	229	8	19	13,4



Maximum Recommended Pressure: 7 Bar.G.
Maximum Recommended Temperature: 1650 °C.

CAPACITY CHART

FLANGE SIZE (N.B.)	NOZZLE NUMBER	FLOW RATE IN LITRES/MINUTE AT Bar.G.							Nominal Spray Angle(°) at 1 Bar.G.
		0,3	0,5	0,7	1,0	1,5	2,0	3,0	
2"	UC 60-FL	106	136	161	193	236	272	334	70
	UC 75-FL	132	170	201	241	295	340	417	70
	UC 90-FL	158	204	241	289	353	408	500	80
	UC 100-FL	176	228	269	322	394	455	557	80
	UC 110-FL	194	250	296	354	433	500	613	80
	UC 120-FL	211	273	322	386	472	545	668	80
	UC 135-FL	238	307	363	434	531	613	751	85
	UC 150-FL	265	342	404	483	591	683	836	85
2½"	UC 90-FL	158	204	241	289	353	408	500	70
	UC 100-FL	176	228	269	322	394	455	557	70
	UC 110-FL	194	250	296	354	433	500	613	70
	UC 120-FL	211	273	322	386	472	545	668	80
	UC 135-FL	238	307	363	434	531	613	751	80
	UC 150-FL	265	342	404	483	591	683	836	80
	UC 165-FL	290	375	444	531	650	750	919	85
	UC 175-FL	308	398	448	563	689	796	975	85
3"	UC 135-FL	238	307	363	434	531	613	751	80
	UC 150-FL	265	342	404	483	591	683	836	80
	UC 175-FL	308	398	448	563	689	796	975	85
	UC 200-FL	353	455	539	644	788	910	1115	85
	UC 225-FL	396	512	606	724	886	1023	1254	90
	UC 250-FL	441	569	673	805	985	1138	1394	90
	UC 275-FL	485	625	740	885	1089	1251	1532	90
	UC 300-FL	529	681	806	956	1175	1354	1651	90
4"	UC 225-FL	396	512	606	724	886	1023	1254	75
	UC 250-FL	441	569	673	805	985	1138	1394	75
	UC 275-FL	485	625	740	885	1089	1251	1532	75
	UC 325-FL	573	740	875	1046	1281	1479	1811	80
	UC 375-FL	662	854	1010	1208	1479	1708	2092	80
	UC 450-FL	794	1025	1213	1450	1775	2050	2511	85
	UC 500-FL	882	1138	1347	1610	1971	2276	2788	85
	UC 550-FL	970	1252	1481	1771	2169	2504	3067	90
UC 600-FL	1059	1367	1617	1933	2367	2733	3348	90	

SPECIAL PURPOSE

TYPE UC

Contact our Helpline for any special requirements:
Tel: +44 (0) 151 424 6821
Fax: +44 (0) 151 495 1043
e-mail: sales@delavan.co.uk
Web: www.delavan.co.uk