



SPRAY CHARACTERISTICS

- Produces a straight jet of steam which subsequently opens up with surrounding air resistance.

CONSTRUCTION AND MATERIALS

- Nozzle tip has a precision machined orifice to provide accurate calibration of steam flow.
- Maximum orifice size available is 0,400" (10,2mm).
- Supplied in a 3 piece design of nozzle tip, cap and threaded body.
- Body thread sizes are Male BSPT and Female BSP.
- Available thread sizes are 1/8", 1/4" and 3/8".
- Supplied in Brass and Stainless Steel as standard.
- Other materials available to special order.

ORDER EXAMPLE

Advise the following: 1) Steam flow rate in kg/hr
2) Operating pressure in Bar.G.

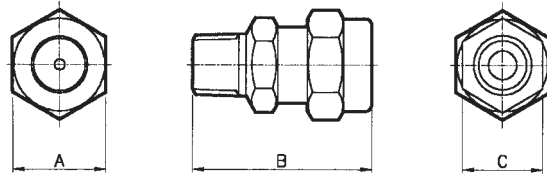
If the orifice is known:-

1/4" CONM (Male) x 4,8mm (0,189") Stainless Steel.

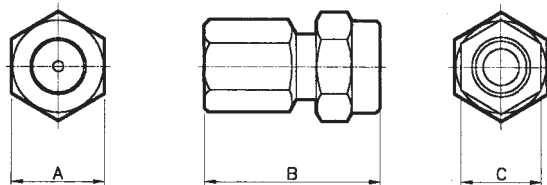
3/8" CONF (Female) x 9,2mm (0,362") Brass.

DIMENSIONS AND WEIGHTS

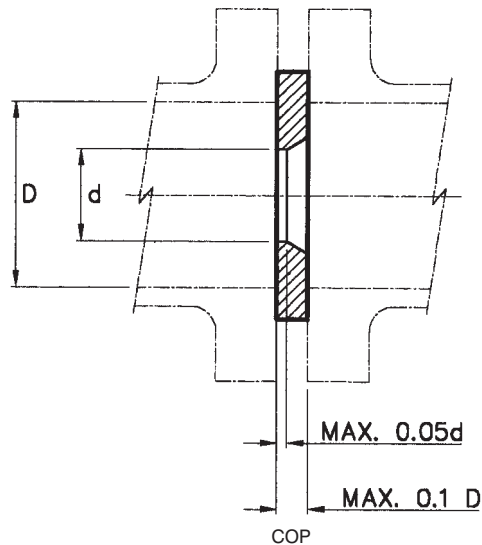
Thread Size	Dimensions (mm)			Weight (g)
	A Hex	B	C Hex	
1/8"	20,8	40,0	18,0	65
1/8"	20,8	38,4	18,0	55
1/4"	20,8	40,0	18,0	64
1/4"	20,8	40,0	18,0	55



CON (MALE)



CON (FEMALE)



COP

COPF is a calibrated orifice plate and is utilised for higher flow rates that the CON cannot handle. They are designed in accordance with the British Standard 1042 and typical profiles are shown in the drawing.